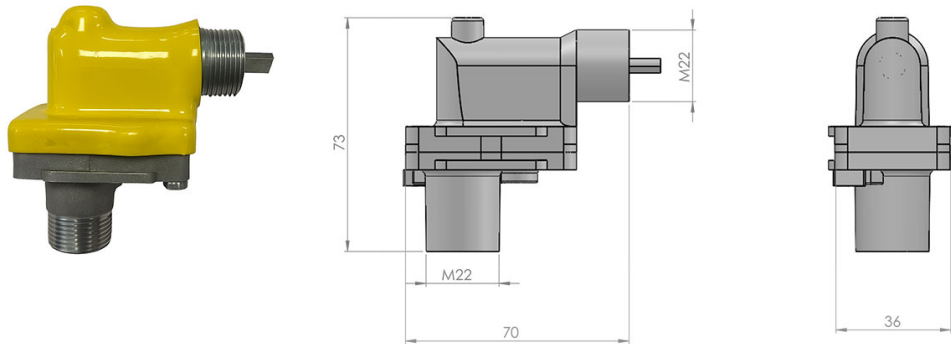




URBAN TRANSPORT
**SPEED SIGNAL GENERATOR
FOR KIENZLE TACHOGRAPH**



F.lli BIGARAN
TECNOLOGIE MECCANICHE FERROVIARIE



CODICE: B00002274

RAILWAY COMPONENTS

IMPIEGO D'USO: SPEED SIGNAL GENERATOR FOR KIENZLE TACHOGRAPH

SPEED SIGNAL GENERATOR FOR KIENZLE TACHOGRAPH

Product manufactured through reverse engineering

F.lli BIGARAN S.r.l.

Via dell'industria, 51 (Z.I. D3) - 15121 Alessandria

tel. +39 0131 34.68.83 - fax +39 0131 34.20.03 - info@fratellibigaran.com - www.fratellibigaran.com